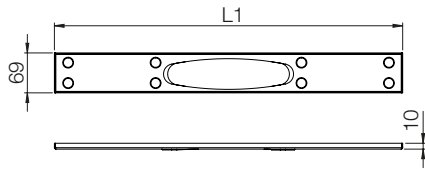


# Dimension sketches

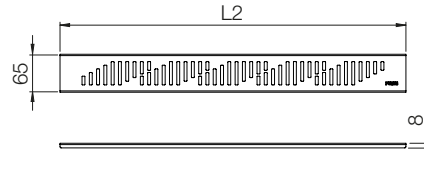
## FRAME/GRATING

Frame

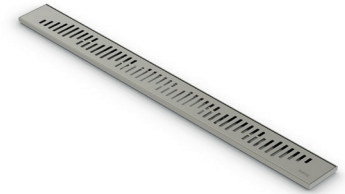


L1 = 597, 697, 797, 897, 997, 1197

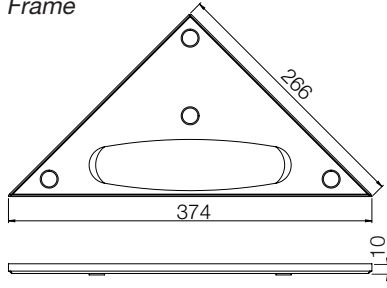
Grating



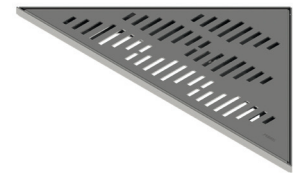
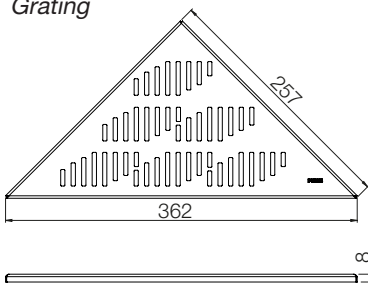
L2 = 593, 693, 793, 893, 993, 1193



Frame

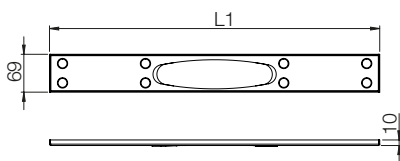


Grating



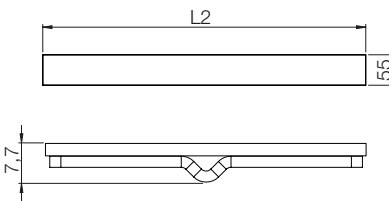
## FRAME/PLATINUM

Frame

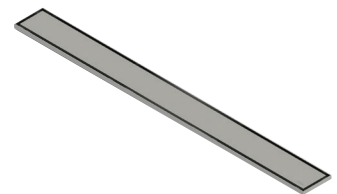


L1 = 597, 697, 797, 897, 997, 1197

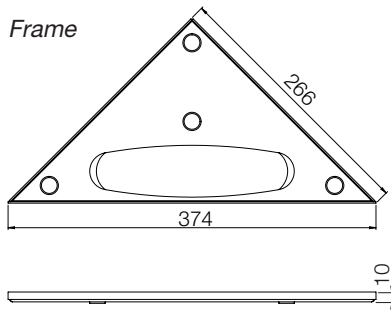
Platinum



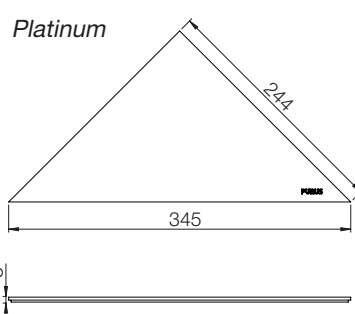
L2 = 584, 684, 784, 884, 984, 1184



Frame



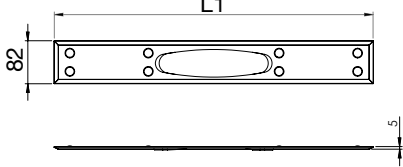
Platinum



# Dimension sketches

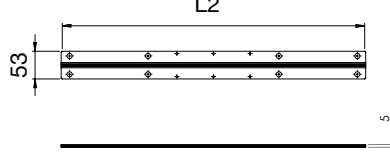
## PREMIUM TILE INSERT

Outer frame



L1 = 611 , 711 , 811 , 911 , 1011 , 1211

Rail

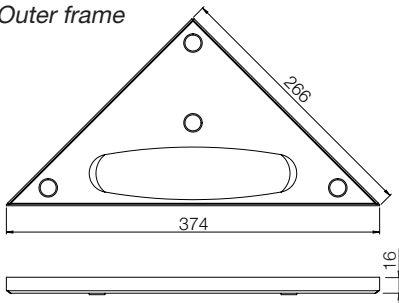


L2 = 578 , 678 , 778 , 878 , 978 , 1178

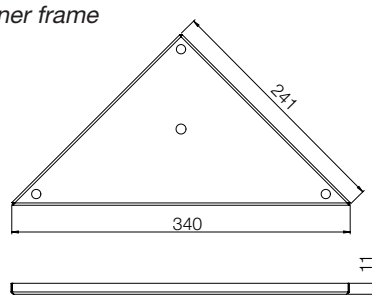


## TILE INSERT

Outer frame

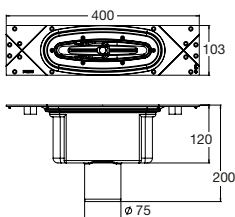


Inner frame

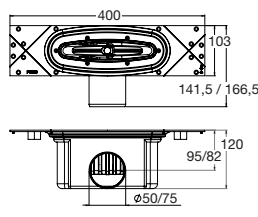


## GULLIES

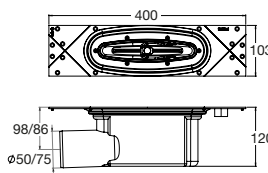
Purus Line/Corner is available with different gullies. NOOD trap is included in all gullies except side for outlet  $\varnothing 40$  mm.



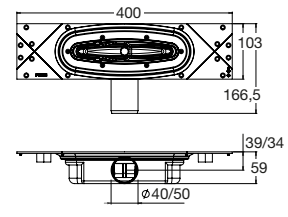
Bottom outlet  
 $\varnothing 50/75$



Side outlet  
 $\varnothing 50/75$



End outlet  
 $\varnothing 50/75$



Low side outlet  
 $\varnothing 40/50$